



**TWO PEOPLE or MORE can
NOW take advantage of using
ONE Windows PC
at the SAME TIME**

With

APPLICA LITE

Many Users Can:



**Surf the internet
at the same time**



**Send and receive
email and files**



**Run financial and
accounting software**



**Create word processing
documents**



**Chart & graph with
spreadsheets**



**Support USB devices:
keyboard, mouse, audio**



**Play MP3 files
simultaneously (with adapter)**



**Play and watch different
DVDs on multiple monitors**

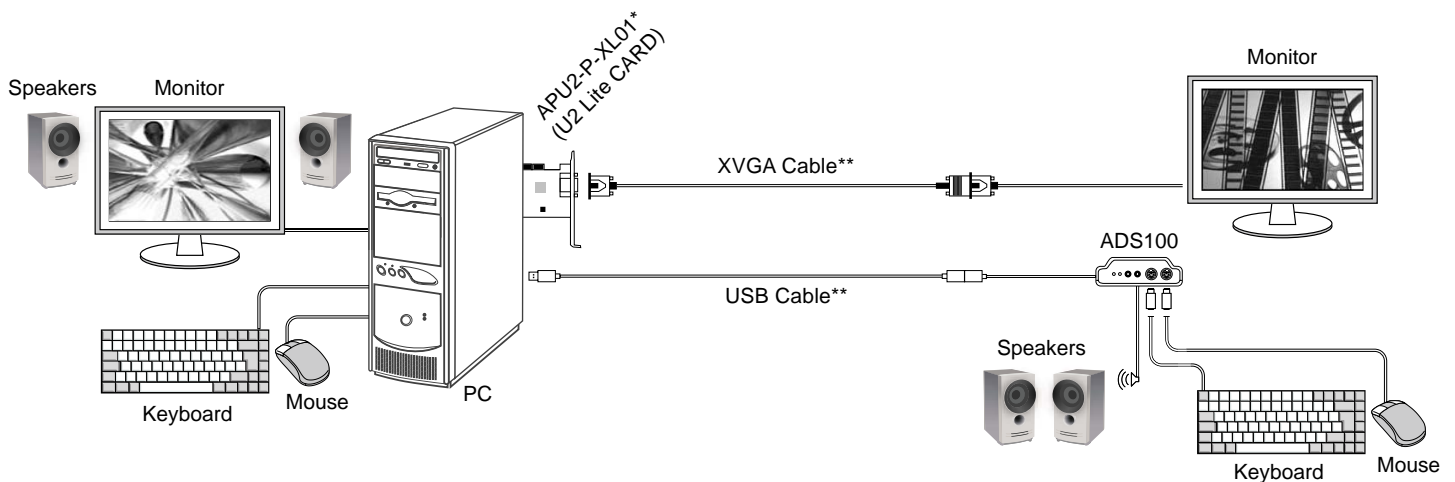


A combination of hardware and software which allows many users to use one Windows PC

simultaneously* and *independently!

All users have their own Windows desktop and can work completely independent - with no perceptible performance degradation - just as though they were using separate computers.

:: Application Diagram ::



* Up to 4 cards can be used per system.

** Cables up to 15 feet without any repeater sold separately.

:: Applications ::

- **Point of Sale** - Applica can operate multiple checkout stations simultaneously with a single PC
- **Education** - Five students can have their own independent stations - all using a single PC.
- **Small Office/Home Office** - Small and home offices can inexpensively add multiple users for simultaneous use of business applications and the Internet with minimal or no network implementation cost.
- **Home Users** - Two (or more) home users can surf the Internet, create word processing documents and share printers instead of waiting to use the computer.
- **Business and Government** - PC acquisition, upgrade and support costs (TCO) can be reduced by over 30 percent using current vendor PCs.
- **Industrial and Hazardous** - Applica allows you to have full computing power on your hazardous shop floor without risking damage to your PC or your data.

Considering a Second PC? Why not a PC for TWO at HALF the Price?

There are many good reasons to buy a second PC. But why spend more than you have to? A revolutionary and inexpensive product from Applica provides all the hardware and software you need to give another person the benefits of a second PC. With Applica U2 Lite, you can simply attach a second monitor, keyboard, mouse, and optional Applica USB Sound Adapter (speakers/microphone or headset) to support an additional active user on your existing PC.

All the Benefits of a 2nd PC

With the Applica U2 Lite product installed on your PC, two people can simultaneously run their favorite applications. For example, while you prepare a presentation for work, your partner can surf the World Wide Web for research. You could each be working on your own word processing documents while sharing one software license.

Surf and Play DVD, MP3

Applica U2 Lite allows both users to surf the Internet with their browsers at the same time. You need only one modem, one phone line or DSL line and one Internet connection (through an Internet Service Provider). You can both play video and audio streams privately because the Applica software supports distinct video and audio resources.

Work in Your Own Personal Environment

The standard Windows operating system environment can remember the settings and privileges of multiple users who can log on (or switch) to access their own personalized environment using the primary monitor, keyboard, mouse and audio. Users are given their own preferences for what they see (favorite screen colors, wallpaper, and icons), what they do and how they do it. This feature is especially handy if you want to prevent access to certain applications or present a simple interface customized to each person's needs. Applica U2 Lite permits any additionally defined user to use a second monitor, keyboard, mouse and audio to log on to their personalized environment. In networked configurations, all users have their own, unique, network identities and can share the physical network adapter/connection.

Applica U2 Lite is Easy to Install

The Applica U2 Lite product provides everything you need to expand your existing PC to support an additional "station" with an active user. It is simple to install and contains all the necessary circuitry for the standard connectors. With the optional addition of an Applica USB Sound Adapter, the station gains full multimedia functionality. Installing the Applica software provides the capability for multiple users to simultaneously take advantage of the built-in multitasking of all Windows operating systems.

How Does Applica U2 Lite Work?

Today's PCs are extremely fast. Even when a single user works as fast as possible, the vast majority of the computer's processing power goes unused. Just as the largest computers (mainframes) have been timeshared for decades, Applica software takes that extra power on the PC and distributes it among multiple stations operating their physically attached monitors, keyboards, mice and audio. So, each active station gets the PC power when it needs it. The Applica software integrates itself with the Windows operating system using patented technology and extends the standard Windows multi-user capabilities to support multiple sets of active monitors, keyboards, mice and audio. Each user/station can have a separate desktop with settings and can run the same or different applications simultaneously. Stations can optionally share all other hardware devices (e.g. Printers, Scanners, CD-ROM, DVD, Single Internet connection and an ISP account).

Applica U2 Lite Extends a Wide Range of Applications

The Applica U2 Lite product is very popular for use in classrooms, libraries, home offices, retail shops, manufacturing and small professional businesses. It significantly reduces the cost of system upgrades and replacements. It's a great way to recycle monitors, keyboards, mice and audio. It optimizes network implementation, setup and support. Applica versions are available for Windows 2000 Professional, 2000 Server, XP Professional and XP Home. With the Applica U2 Lite product, many users can truly utilize a PC to its fullest!!!

Technical Specifications

:: U2 Lite PCI Board Multi-Display Adapter ::

Peripheral Interfaces

Video Connector
Keyboard Connector
Mouse Connector

- 15-pin VGA connector
- USB or PS/2 Standard (6 pin Mini Din Female)
- USB or PS/2 Standard (6 pin Mini Din Female)

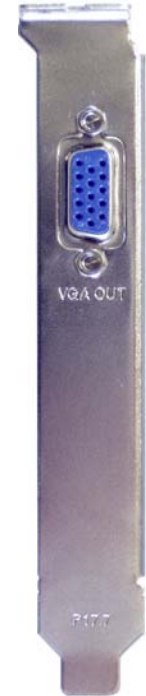
General Specifications

PCI Interface
Video Chip
Video Accelerator
8 MB of SDRAM
Stations Supported
Data Transfer Rate
Cable Interface
Transmission Distance
Dimensions
Weight
Power
Operating Temperature
Storage Temperature
Humidity
Agency Approval

- PCI bus V2.1 5V, 32bit, 33MHz
- Powered by an ATI Rage chipset
- 2D and 3D Video Accelerator
- Supports 1600 x 1200 x 16bit High Color at 85Hz
- 1 (Maximum recommended configuration of 4 U2Lite per Host PC)
- 125 MHz memory clock
- XGA cable for video USB 1.1 for keyboard and mouse and speakers
- 20 ft. without repeater, 275 ft. with XGA USB repeater
- 6.75" x 4" (17.5cm x 10.5mm)
- 3.5 oz.
- 7W (1.4A, 5V)
- 32 to 104 degrees Fahrenheit (0 to 40 degrees Centigrade)
- -40 to 140 degrees Fahrenheit (-40 to 60 degrees Centigrade)
- 20% to 90% non-condensing
- USA: FCC - Class B
- Europe: CE



(APU2-P-XL01)



:: USB Adapter Specifications ::

USB Audio Adapter

- USB to Dual PS/2 Keyboard/Mouse Adapter
- Connectors: One USB A, two mini-DIN 6 pin sockets
- Connect directly to USB port on computer or to a USB hub
- Fully compliant with USB 1.1 specifications
- Color-coded connectors for easy identification
- Supports Microsoft Intellimouse and compatible mice

Stereo Playback

- Full-duplex playback/recording audio stream without sound card in PC
- Supports USB full speed up to 12 Mbps serial data transmission
- Fully compliant with USB 1.1 specifications
- One Stereo Output Data Channel (Speakers)
- Fixed 48 KHz sampling rate for One Channel

- One Input Data Channel (MIC)
- Supports digital recording function with 32 KHz, 44.1 KHz and 48 KHz sampling rates
- Supports analog recording function with fixed 48 KHz sampling rate



(ADS100)

Part Number	Description
APU2-L-XP	Applica U2 Lite for Windows XP with video, keyboard and mouse support. Includes: APU2-P-XL01, APCX-U-KM and APS-XP
APU2-LPRO-XP	Applica U2 Lite for Windows XP with video, keyboard and mouse support. Includes: APU2-P-XL01, ADS100 and APS-XP
APU2-P-XL01	Applica RageXL single head PCI video adapter.
APCX-U-KM	Applica USB to PS2 adapter.
ADS100	Applica multimedia docking station
APS-XP	ApplicaXP multi-user software.

